

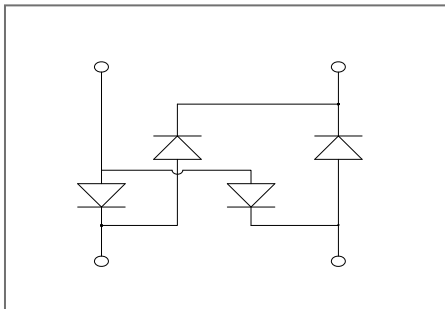
## High Efficient Bridge Rectifiers

### Features

- UL recognition, file #E313149
- Ideal for automated placement
- Glass passivated chip junction
- High surge current capability
- Meets MSL level 1, per J-STD-020, LF maximum peak of 260 °C

### Typical Applications

General purpose use in AC/DC bridge full wave rectification for SMPS, lighting ballast, adapter, battery charger, home office equipment, and telecommunication



### Attributes

- Lead-free
- RoHS compliant, Halogen free
- Sn plated leads, solderable per JESD22-B102
- Marked on body

Part Number	HABS1508	HABS1510
06	HABS1508	HABS1510
	800	1000
	560	700
	800	1000

PARAMETER	SYMBOL	UNIT	TEST CONDITIONS	HABS1506	HABS1508	HABS1510
Maximum reverse recovery time	$t_r$	ns	$I_F=0.5A, I_R=1.0A, I_T=0.25A$		75	
Maximum instantaneous forward voltage drop per diode	$V_F$	V	$I_{FM}=0.7A$	1 <sup>3/4</sup>	FR	1.7 Max instantaneous
			$T_j=125$		100	
Typical junction capacitance	$C_j$	pF	Measured at 1MHz and Applied Reverse Voltage of 4.0 V.D.C		15	



# HABS1506 THRU HABS1510

## Thermal Characteristics ( $T_a=25$ Unless otherwise specified)

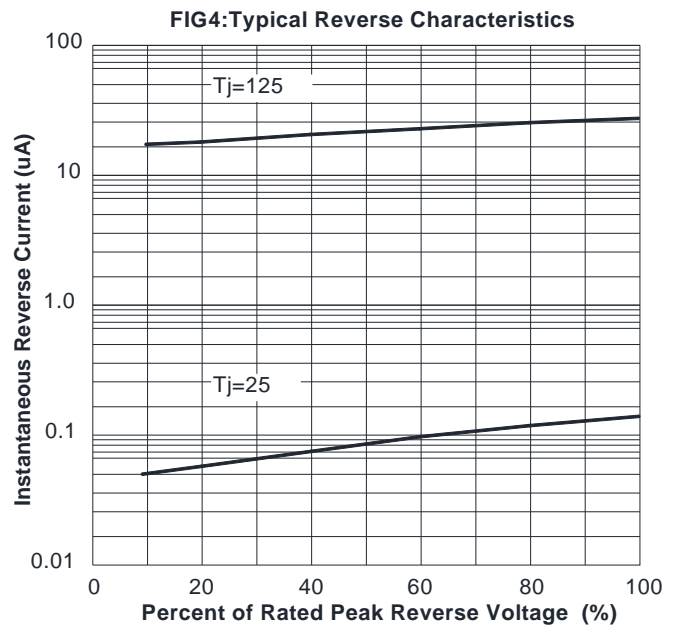
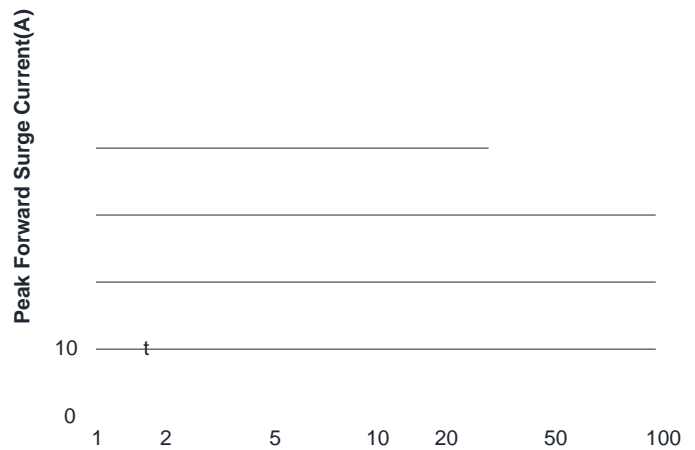
PARAMETER		SYMBOL	UNIT	HABS1506	HABS1508	HABS1510
Thermal Resistance	Between junction and ambient	R J-A	/W	62.5		
	Between junction and lead	R J-L		25.0		
	Between junction and case	R J-C		8.0		

Note: Device mounted on P.C.B with 35mm\*25mm\*1.7mm.

## Ordering Information (Example)

PREFERRED P/N	PACKING CODE	UNIT WEIGHT(g)	MINIMUM PACKAGE(pcs)	INNER BOX QUANTITY(pcs)	OUTER CARTON QUANTITY(pcs)	DELIVERY MODE
HABS1506-HABS1510	F1	Approximate 0.095	4000	/	64000	13" reel
HABS1506-HABS1510	F5	Approximate 0.095	5000	/	80000	13" reel

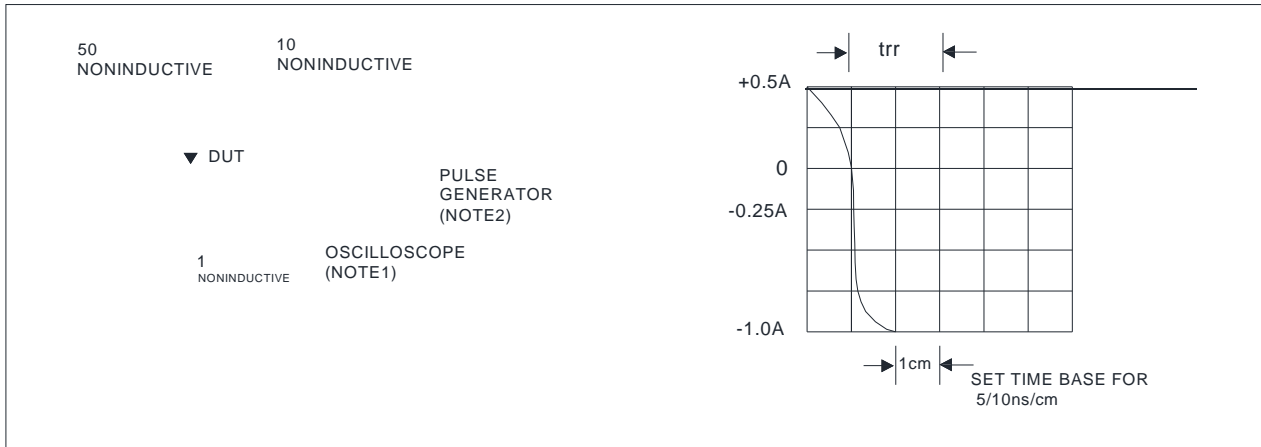
## Characteristics (Typical)





# HABS1506 THRU HABS1510

FIG.5: Diagram of circuit and Testing wave form of reverse recovery time



## Outline Dimensions

ABS		
Dim	Min	Max
A	4.30	4.50
B	6.00	6.40
C	3.90	4.10
D	4.90	5.10
E	1.25	1.45
F	1.60 Max	
G	0.60	0.70
H	0.15	0.25
I	0.30	0.80
J	0.02	0.15

## Suggested pad layout

Dim	Min
P1	5.72
P2	4.00
Q1	1.00
Q2	0.90



# HABS1506 THRU HABS1510

---

## Disclaimer

The information presented in this document is for reference only. Yangzhou Yangjie Electronic Technology Co., Ltd. reserves the right to make changes without notice for the specification of the products displayed here in order to improve reliability, performance, design or otherwise.

The product listed here is designed to be used with ordinary electronic equipment or devices, and not designed to be used with equipment or devices which require a high level of reliability, the malfunction of which could directly endanger human life (such as medical instruments, transportation equipment, aerospace machinery, nuclear-reactor controllers, fuel controllers and safety-critical devices). Yangjie or anyone who uses it bears full responsibility for any damages resulting from such improper use of sale.

This publication includes all information. Please refer to the latest version of the product specification on the website <http://www.21yangjie.com>, or consult our nearest Yangjie's sales office for further assistance.